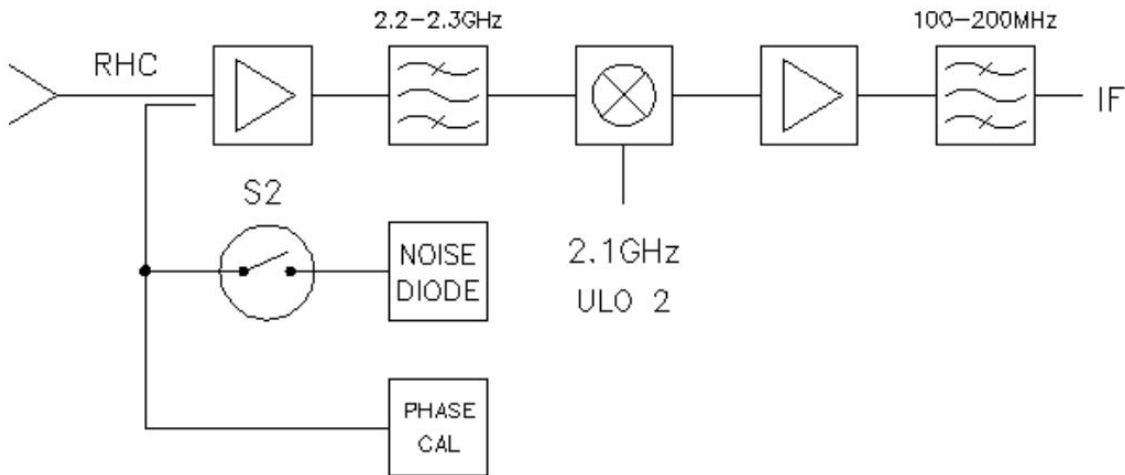


Technical Documentation of the 13 cm Receiver 2.2-2.3 GHz (S130mm)

Type	FET room temperature	
Channels	1	
Receiver Noise	80K	
Frequency range	2.2 - 2.3 GHz	
Polarization	RHC	single horn
Calibration	Noise diode	phase cal for VLBI
Optics	offset paraboloid around S36mm	
1st IF	100 - 200 MHz	fixed Synthesizer = 2.1 GHz



Simplified Block Diagram of the receiver, (RK on 11.12.2019)

From: <https://eff100mwiki.mpifr-bonn.mpg.de/> - **Effelsberg 100m Teleskop**

Permanent link: https://eff100mwiki.mpifr-bonn.mpg.de/doku.php?id=electronics:rx:techinfo:documentation_13cm_rx_s130mm

Last update: **2019/12/13 11:51**