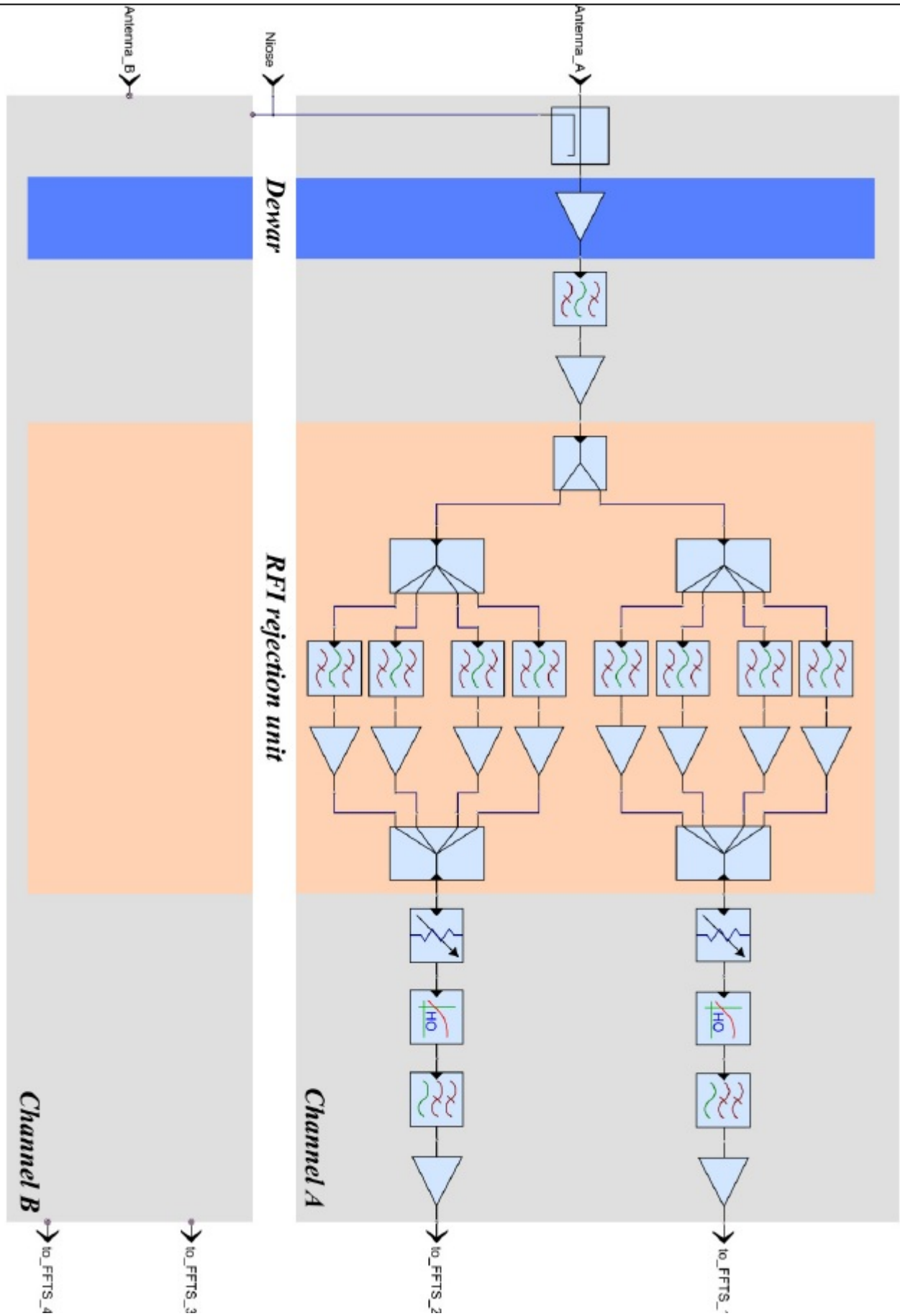


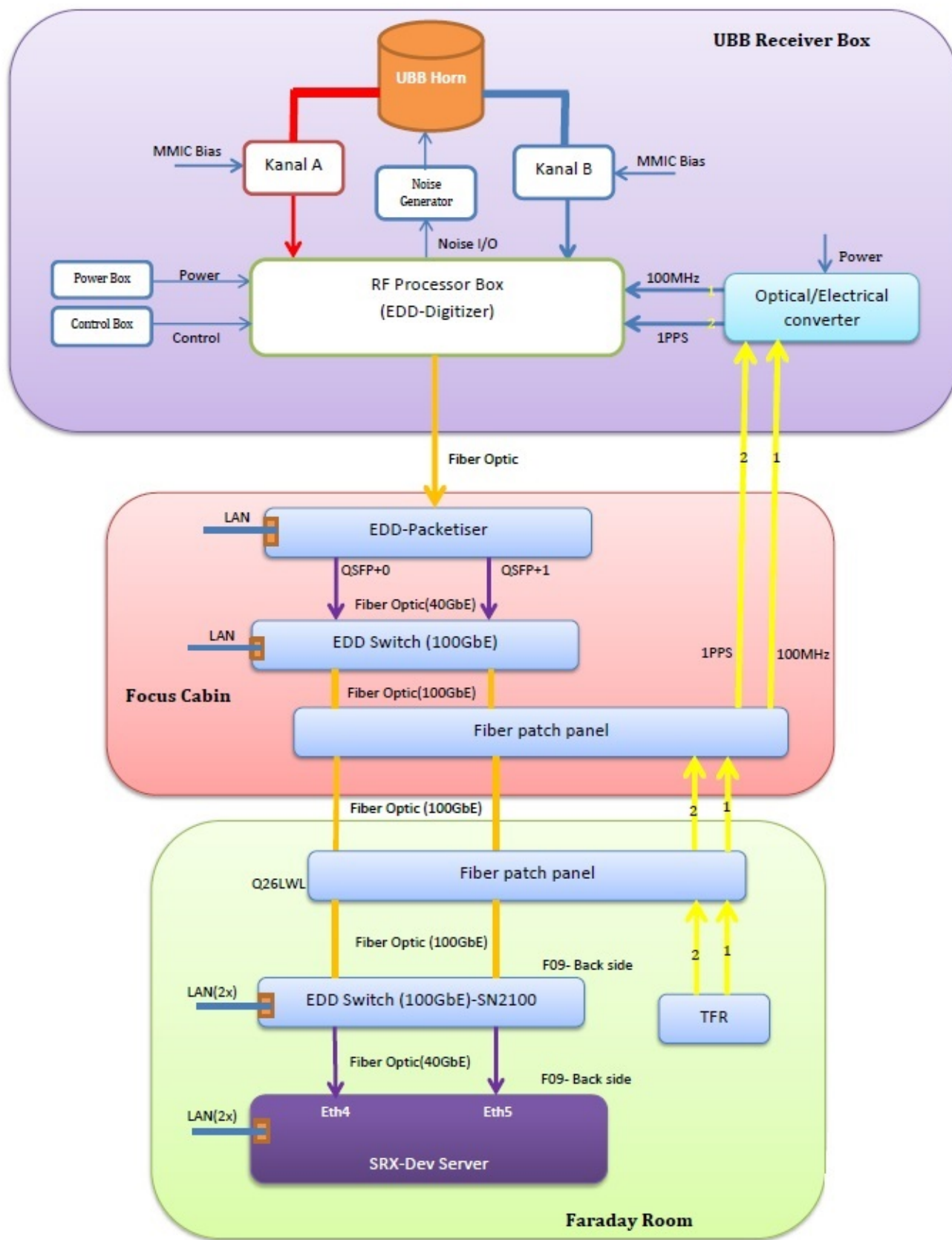
Technical Documentation of the UBB Receiver 1.2 - 3 GHz (P170)

Type	HEMT LNA,cooled		
Channel	2		
Receiver Noise Temperature	10-40K		
RF Frequency Range	0.6-3 GHz		
P170mm UBB (1.2-3 GHz)			
Channel	IF	Pol.	Comment
1	optical	Horizontal	TP A
2	optical	Vertical	TP B

Receiver Block Diagram

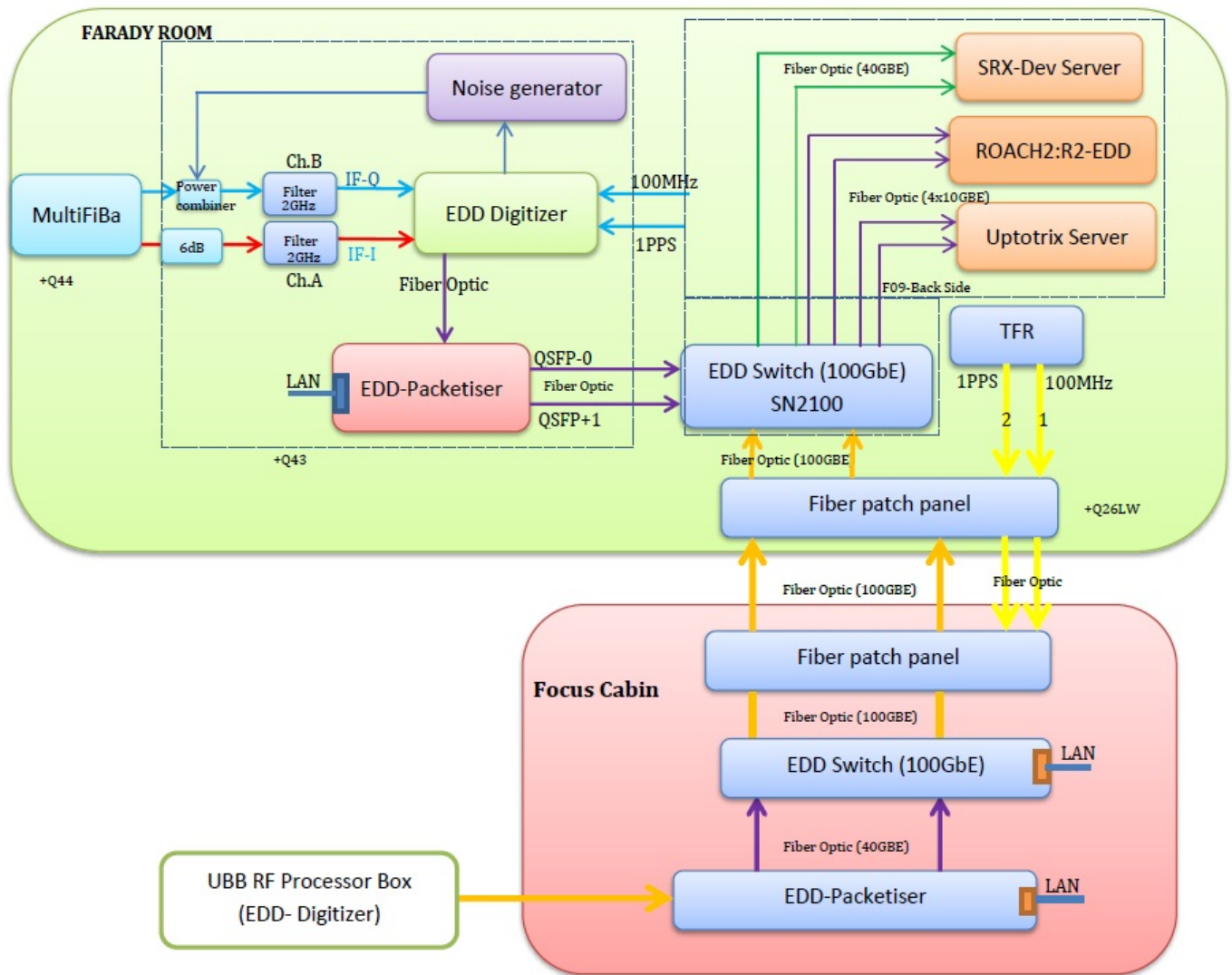


Signal Flow Diagram



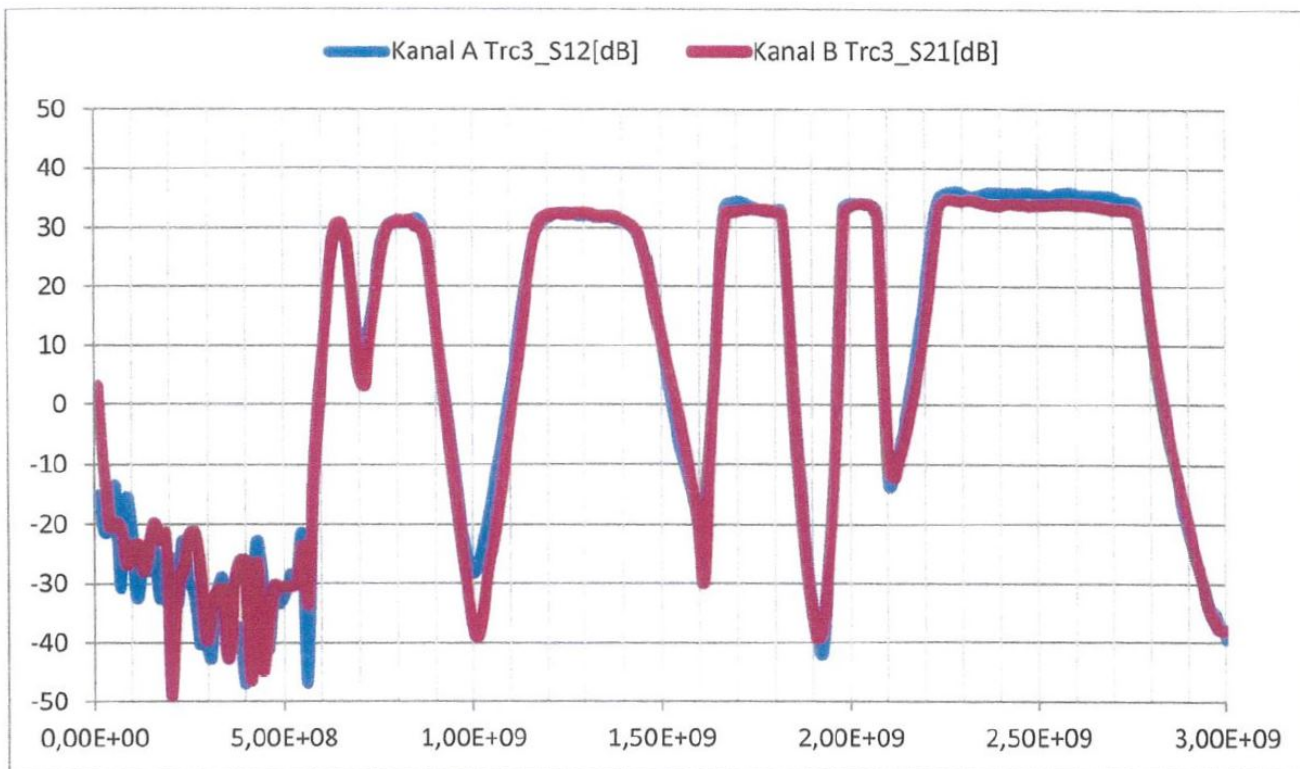
Simplified Block Diagram of [ubb_receiver_signal_flow.pdf](#)

EDD Deployment



Simplified Block Diagram of [fedd_deployment.pdf](#)

Charts



Comments

This is an ultra broad band (UBB) 2-channel system covering a range from 1200 to 3000 MHz. The band used to be 0.6 - 3.0 GHz, but that was changed due to RFI issues. Be aware that there is still a lot of RFI in the current frequency range. The system is mainly used for pulsar observations.

From: <https://eff100mwiki.mpifr-bonn.mpg.de/> - **Effelsberg 100m Teleskop**

Permanent link: https://eff100mwiki.mpifr-bonn.mpg.de/doku.php?id=electronics:rx:techinfo:documentation_p170mm

Last update: **2019/12/13 12:02**