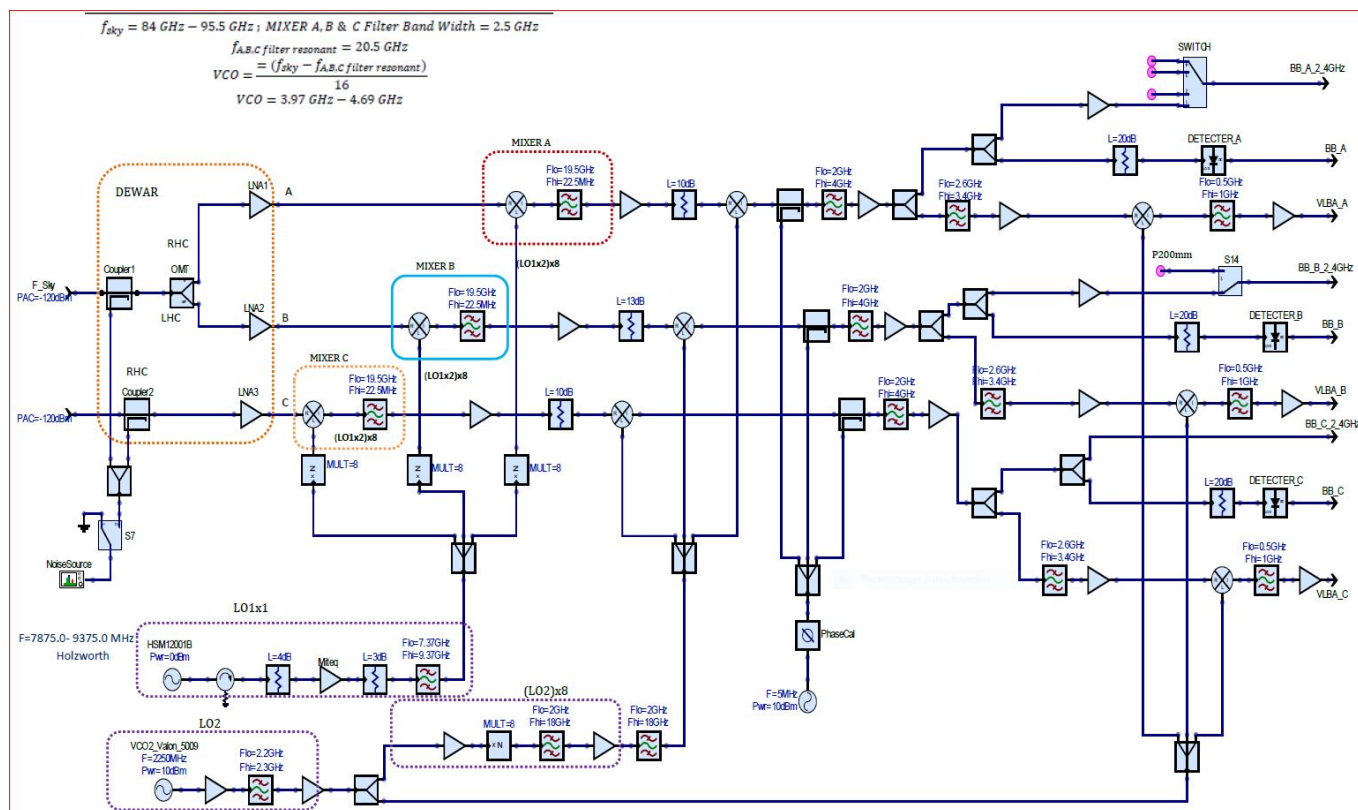


### Technical Documentation of the 3mm Receiver 84 - 96 GHz (P3mm)

Type	HEMT cooled		
Channels	3		
Receiver Noise Temperature	Channel A	Channel B	Channel C
→	85K	100K	135K
Bandwidth RF-Filters	No RF Filter	No RF Filter	No RF Filter
Polarization	Horn I	Horn I	Horn II
→	LHC (Channel A)	RHC (Channel B)	LHC (Channel C)
Calibration	Noise diode and pulse cal injection in IF		
Feed	Primary fokus horns		
RF Frequency Range	84-96 GHz		
1. IF Frequency	19.5 - 22.5 GHz		
1. Synthesizer	Holzworth HSM12001	Frequency = 7875.0 - 9375.0 MHz (f0 = 8156.25 MHz)	
Local Oscillator 1	→	LO1=8*(7875.0 - 9375.0) MHz = 63-75 GHz	
2. IF Frequency	2-4GHz		
2. Synthesizer	Valon 5009, Synth. 2	f0=2250 MHz	
Local Oscillators	→	LO2=8*2250 MHz = 18 GHz	
3. IF Frequency	0.5-1.0 GHz		
3. Synthesizer	Valon 5009, Synth. 2	f0=2250 MHz	
Local Oscillators	→	LO3=2250 MHz	

### Block Diagram



### ULO Frequencies:

fLO1 = (fsky- 21,0 GHz) / 16  
fLO2 = 2250MHz

Simplified Block Diagram of [3mm\\_receiver\\_modified\\_withholzworth.pdf](#) the complete receiver, (ZMK on 16.08.2019)

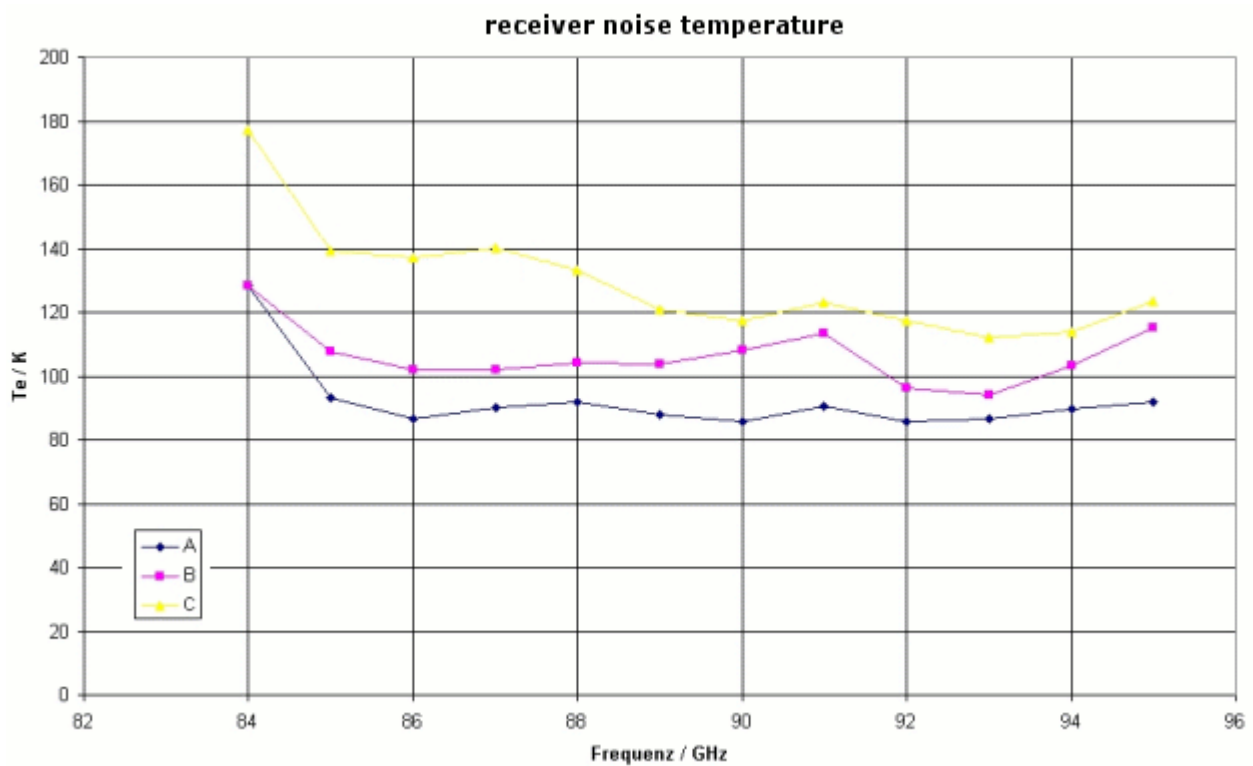
Simplified Block Diagram of [3mm\\_block\\_diagram\\_second\\_version.pdf](#) (RK on 15.08.2019)

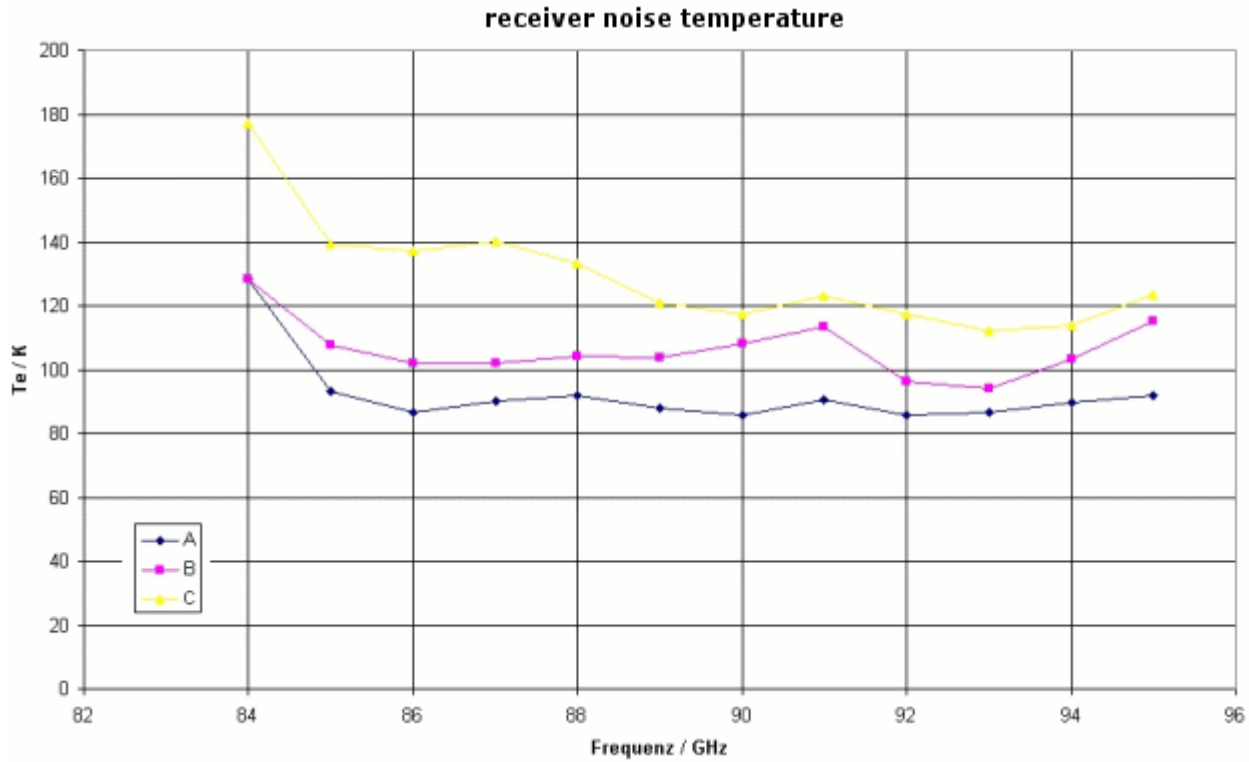
Local Frequency Generation for 3mm Receiver using a Valon 5009 Dual Frequency

Synthesizer [protocol\\_of\\_new\\_ou11\\_generation\\_for\\_3mm\\_receiver.pdf](#)

Valon5009 synthesizer's Frequency Response Consideration [valon5009\\_frequency\\_response.pdf](#)

## Charts





### Comments

This is a tunable single sideband superheterodyne system for line and total power observations. For frequency dependent receiver and calibration temperatures see diagram below. The Receiver provides two horns for beam switching. The geometric distance of the horns is  $d = 9,7$  mm, the beam separation at sky is 55 Arcsec.

This system is part of the Primary Focus Multi Frequency Box #1 (PM 1).

From: <https://eff100mwiki.mpifr-bonn.mpg.de/> - Effelsberg 100m Teleskop

Permanent link: [https://eff100mwiki.mpifr-bonn.mpg.de/doku.php?id=electronics:rx:techinfo:documentation\\_p3mm&rev=1616742433](https://eff100mwiki.mpifr-bonn.mpg.de/doku.php?id=electronics:rx:techinfo:documentation_p3mm&rev=1616742433)

Last update: 2021/03/26 08:07