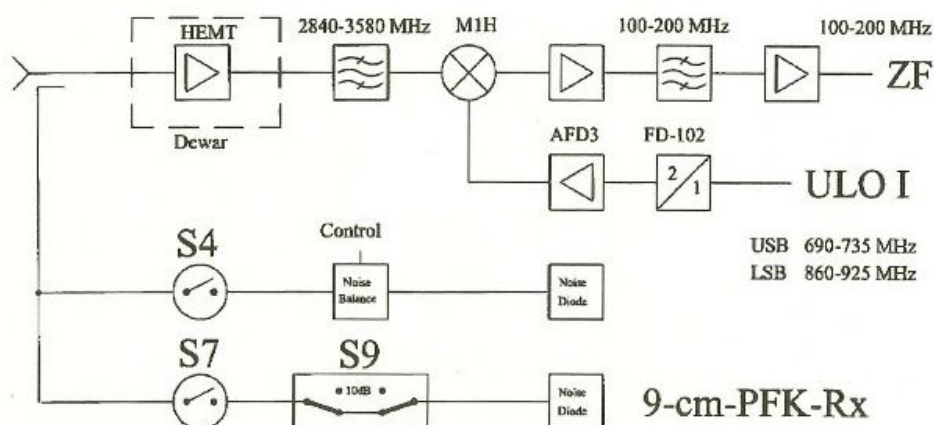


Technical Documentation of the 90mm Receiver 3.2 - 3.6 GHz (P90mm)

Type	HEMT Cooled	
Channels	1	
Receiver Noise Temperature	30K	
Frequency Range	2.86 GHz - 3.14 GHz and 3.29 GHz - 3.6 GHz	
Bandwidth RF-Filters-fixed	1 GHz	
Polarization	linear	
Calibration	Noise Diode	
1. IF	100 - 200 MHz	
1. Oscillator	ULOx4	USB: 690 - 735 MHz
		LSB: 860 - 925 MHz

Block Diagram

Block Diagram



Comments

The 3.2 GHz system is a prime focus receiver with a cooled HEMT preamplifier. It has been constructed for spectral line work in a total power configuration.

From: <https://eff100mwiki.mpifr-bonn.mpg.de/> - Effelsberg 100m Teleskop

Permanent link: https://eff100mwiki.mpifr-bonn.mpg.de/doku.php?id=electronics:rx:techinfo:documentation_p90mm&rev=1576575487

Last update: 2019/12/17 10:38