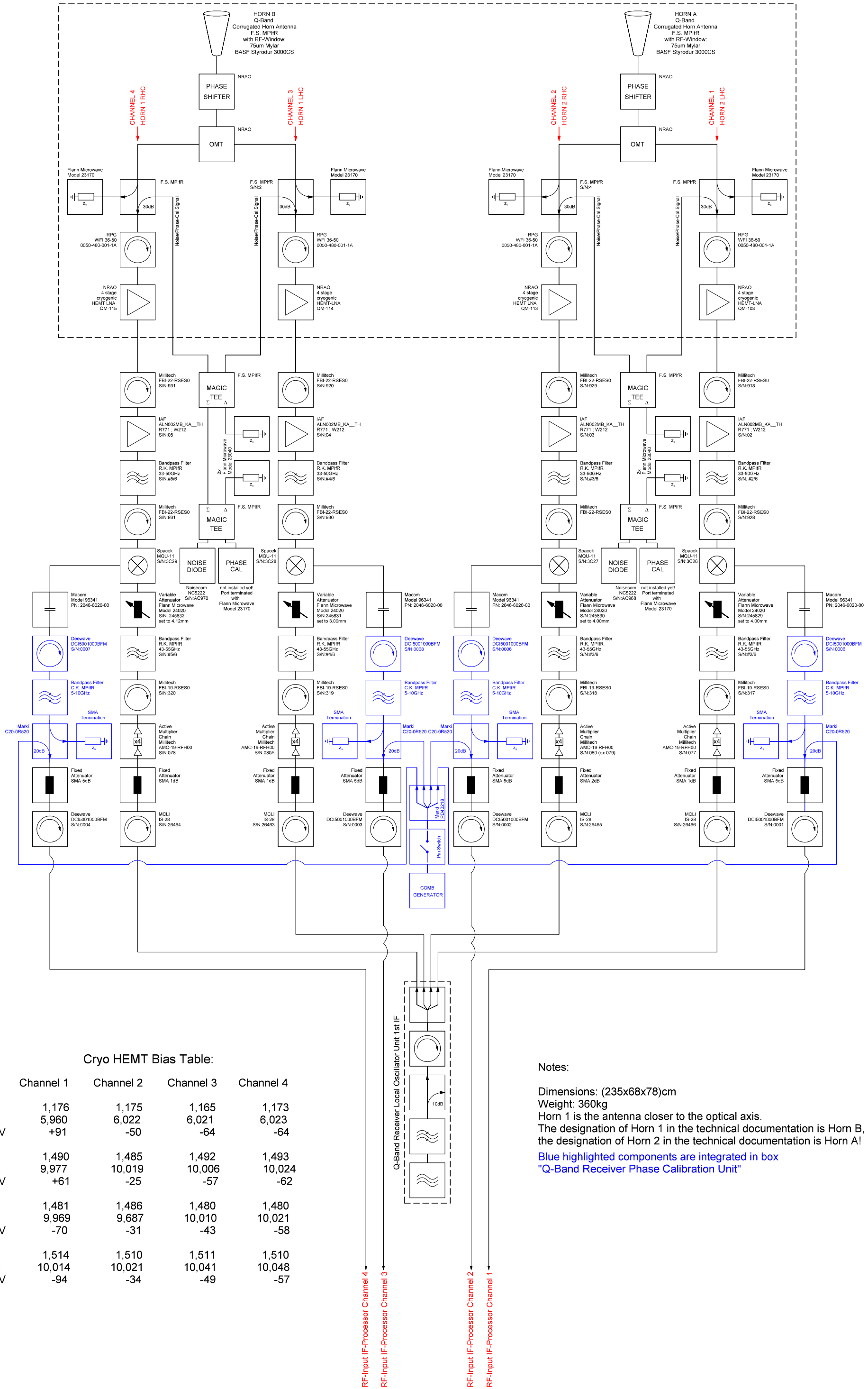


Q-BAND RECEIVER SYSTEM OVERVIEW (23.10.2018)



Cryo HEMT Bias Table:

	Channel 1	Channel 2	Channel 3	Channel 4
UD1/V	1,176	1,175	1,165	1,173
ID1/mA	5,960	6,022	6,021	6,023
UG1/mV	+91	-50	-64	-64
UD2/V	1,490	1,485	1,492	1,493
ID2/mA	9,977	10,019	10,006	10,024
UG2/mV	+61	-25	-57	-62
UD3/V	1,481	1,486	1,480	1,480
ID3/mA	9,969	9,687	10,010	10,021
UG3/mV	-70	-31	-43	-58
UD4/V	1,514	1,510	1,511	1,510
ID4/mA	10,014	10,021	10,041	10,048
UG4/mV	-94	-34	-49	-57

Notes:

Dimensions: (235x68x78)cm
 Weight: 360kg
 Horn 1 is the antenna closer to the optical axis.
 The designation of Horn 1 in the technical documentation is Horn B, the designation of Horn 2 in the technical documentation is Horn A!
 Blue highlighted components are integrated in box "Q-Band Receiver Phase Calibration Unit"

RF-Input IF-Processor Channel 4
 RF-Input IF-Processor Channel 3
 RF-Input IF-Processor Channel 2
 RF-Input IF-Processor Channel 1